

## ASi repeater IP20

### Function

The ASi repeater with local diagnosis indicates separately ASi communication faults in addition to the voltage supply. The red ASi Fault-LED lights up as long as no ASi communication takes place. The communication fault LED helps the user to detect basic installation problems within a short period of time. The new ASi repeaters are compatible with all ASi repeaters available on the market. Especially the IP 20 ASi repeaters can be easily installed in control cabinets or primary switchgear cabinets together with the ASi power pack.

### Application

The ASi bus permits a maximum line length of 100 m (incl. all spur lines). If this length is reached, a repeater has to be installed. The installation of the ASi repeater requires another power pack to be installed in the newly created ASi segment (see installation drawing).

### Technical data

- Connections: Combicon clamp-type terminals
- Supply voltage: Operating voltage form ASi
- Operating current: 60 mA (per phase segment), 120 mA (total)
- Number of necessary ASi power packs: one additional power pack (as with every ASi repeater)
- Display (4 LEDs):
  1. PWR1 ASi-Power circuit 1
  2. FAULT1 ASi communication fault circuit 1
  3. PWR2 ASi-Power circuit 2
  4. FAULT2 ASi communication fault circuit 2
- Insulation voltage:  $\geq 500$  V  
EMC acc. to EN61000-6-3, EN61000-6-2
- Dimensions (L x W x D): 114 x 25 x 1105 mm

### Ambient conditions

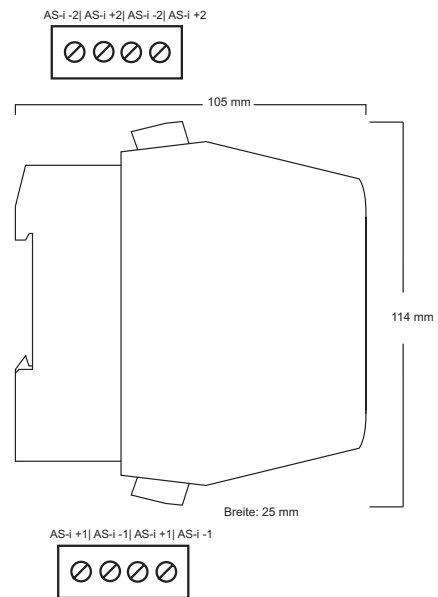
- Operating temperature: 0 °C to +55 °C
- Storage temperature: -25 °C to +75 °C
- Industrial protection: EN 60529 IP20

### Note

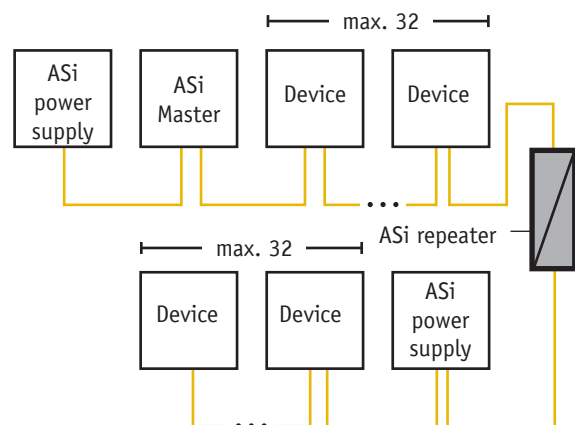
The ASi repeater takes no slave address. The total number of slaves (31 and 62 resp. per master phase) remains unchanged. No parameterization is required. For the segment created when the repeater is installed an additional power pack will be needed.



ASi-Repeater IP20



Engineering drawing



Example of connection

### Ordering details

ASi repeater IP20

### Art. No.

120070005