

## Active measuring point ASiMA IP67

### Function

The PG / Service interface is the feedback-free measuring point for measurements with ASi Scope and can also be used as programming interface.

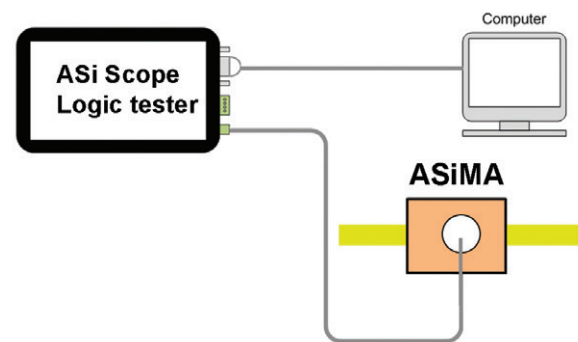
The ASi measuring point is based on a reusable access technology according to IEC 60352-6 and can be used as distribution of connections or connector. The ASi connector 0911 ANC 406 is included in the scope of supply.

### General data

- Product features: Oil resistance, vibration consistency
- Protective system: IP67
- Casing: PA
- Rated voltage at 40 °C: 4 A



Active measuring point ASiMA



Example of connection

### Ordering details

### Art. No.

Active measuring point ASiMA

120040000