

## Diagnostic connector PG/45° Fast Connect

### Function

The PG/Service interface serves as feedback-free measuring point for measurements with PROFtest II XL/PROFI-TM Professional and PB-INspektor® NT can also be used as programming interface. The plug is completely shielded by the metal-coated casing. The plug for the terminating resistor that is accessible from outside, disconnects the outgoing segment when being in ON position. The design meets the Fast Connect requirement. The integrated 4 LEDs (Power, TxD, Termination, Error) serve for a quick diagnosis of the bus status. With the Error LED, for example reflections and missing terminating resistors are signalled. Because of the very space-saving routing of the PROFIBUS line (45° cable outlet) this connector can also be used in densely structured control cabinets.

### Bus connection

- 9-pin sub-D interface
- Insulation piercing terminal (suitable for Fast Connect cable)
- 45° cable outlet

### Electrical parameters

- Terminating resistor: integrated, can be switched with a sliding switch from outside
- Baud rate: 9.6 kbps to 12 Mbps
- Supply voltage: 4.75 to 5.25 VDC
- Current drain: 10 ... 30 mA
- Diagnostic display through LED status

### Ambient conditions

- Operating temperature: -20 °C to +75 °C
- Industrial protection: IP20

### Design

- Dimensions (H x W x D): 61 x 15,8 x 53 mm
- Interface: 9-pin sub-D
- Weight: approx. 80 g
- Casing: zinc die cast
- Max. fastening torque: 0,02 Nm

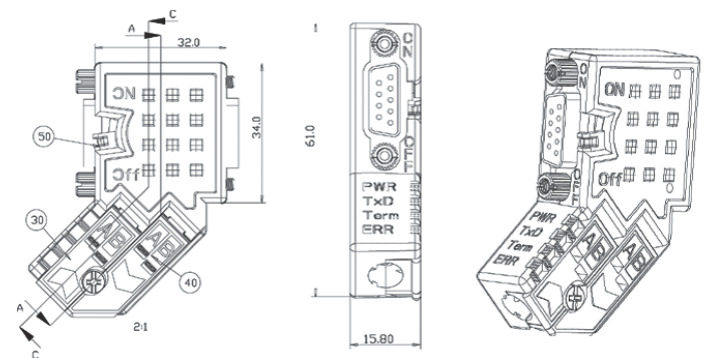
### Status display for diagnostic function

Switch ON/OFF	PWR Green	TxD Green	Term Green	ERR Yellow	Description
x	•	x	x	x	Power is OK (+5V ±5%)
x	✱	x	x	x	Power is out of (+5V ±5%)
x	✱	x	x	✱	Short-circuit of bus wire possible
X	X	○	X	X	No bus activity of participant
X	X	✱	X	X	Bus activity of participant
X	X	•	X	X	Bus activity, RTS (pin 4) of RS485 is not connected
OFF	X	X	○	X	Termination is switched off
OFF	X	X	✱	X	Internal terminating resistor faulty
ON	X	X	•	X	Termination is activated
X	X	X	X	○	No errors detected
OFF	X	✱	○	•	Bus is not terminated
OFF	X	○	○	•	Bus is open

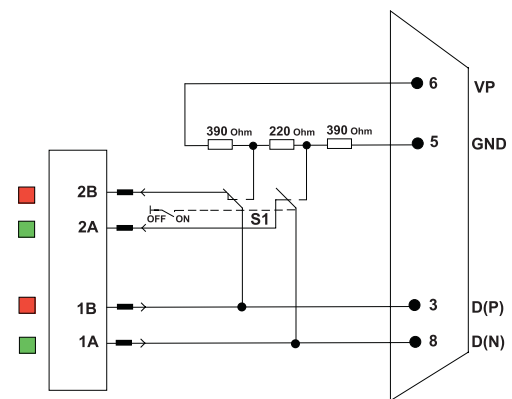
ON: • OFF: flashing (5Hz): extraneous: x



Diagnostic connector PG/45° Fast Connect



Engineering drawing



Functional diagram

### CE mark

Plugs are passive components and are subject to the CE mark system pursuant to EU Directives.

### Ordering details

Diagnostic connector PG/45° Fast Connect

### Art. No.

110050007