

Mesasuring point PNMX

Function

The **measuring adapter PNMX** with the protective system **IP67** serves as an access point for feedback-free telegram recording in PROFINET networks and further ethernet-based networks under production conditions. A permanent installation of the measuring adapter PNMX in the network connection between the automation device (Controller) and the first switch is recommended as typically the greater part of the communication converges in this connection. Therefore two network sockets (network P1 and P2) are available at the unit.

To connect an analysis tool non-reactively (PN-INspektor® NT or laptop) two monitor sockets are provided (monitor M1 and M2). This requires two patch cables which in turn allow to monitor both communication directions in parallel. Error telegrams are not rejected by the PNMX but forwarded.

Options for telegram recording

Recording by PNMX

- Advantages:
- No vacant switch port required
 - No efforts on connecting a measuring tool
 - Unconditionally bidirectional up to 100 Mbps
- Disadvantages:
- Additional hardware

Recording by port mirroring at the switch

- Advantages:
- No additional hardware required (no PNMX)
- Disadvantages:
- Time-consuming set-up of the mirror port at the switch
 - High load of the switch by the mirror port
 - Package losses at high data rates
 - Bidirectional mirror port urgently required
 - Defective telegrams are not mirrored

Technical data

- Power supply connection: M8 socket 3 poles
- Voltage input: 24 VDC (20 - 28 V, reverse polarity protected)
- Output voltage: 24 VDC (max. 1A)
- Max. power consumption: 50mA
- Max. power loss: 1W
- Network connection: M12 socket D-coded
- Transmission rate: 100Mbit/s
- Delay time: Less than 1 Bps at 100 Mbps
- Installation: Wall mounding
Rack mounting
- Dimensions (H x W x D): 135 x 44 x 95 mm
- Protection class: IP67
- Weight: 600 g
- Operating temperature: 0 °C to +55 °C
- Storage temperature: -15 °C to +75 °C

Scope of delivery

- PNMX
- Protective caps for M12 and M8
- Power cable M8 - 3m
- Fixing straps

Ordering details

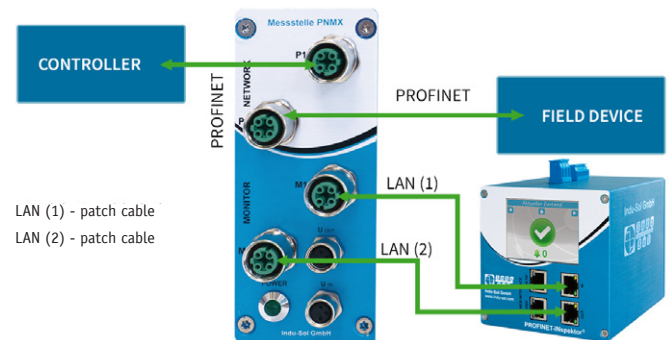
Measuring point PNMX

Art. No.

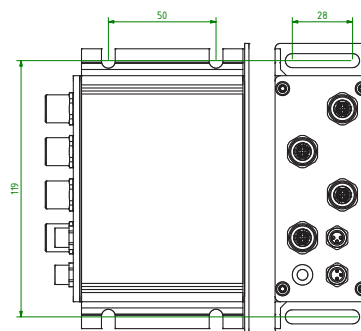
114090300



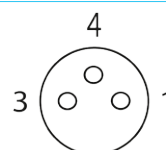
Measuring point PNMX



Example of connection



Installation



M8 socket 3-pole



M12 socket D-coded 4-pole

Pin	Designation	Wire colour	Pin	Designation	Wire colour
1	GND	brown	1	TX+	yellow
3	24V	blue	2	RX+	white
4	PE	black	3	TX-	orange
			4	RX-	blue